

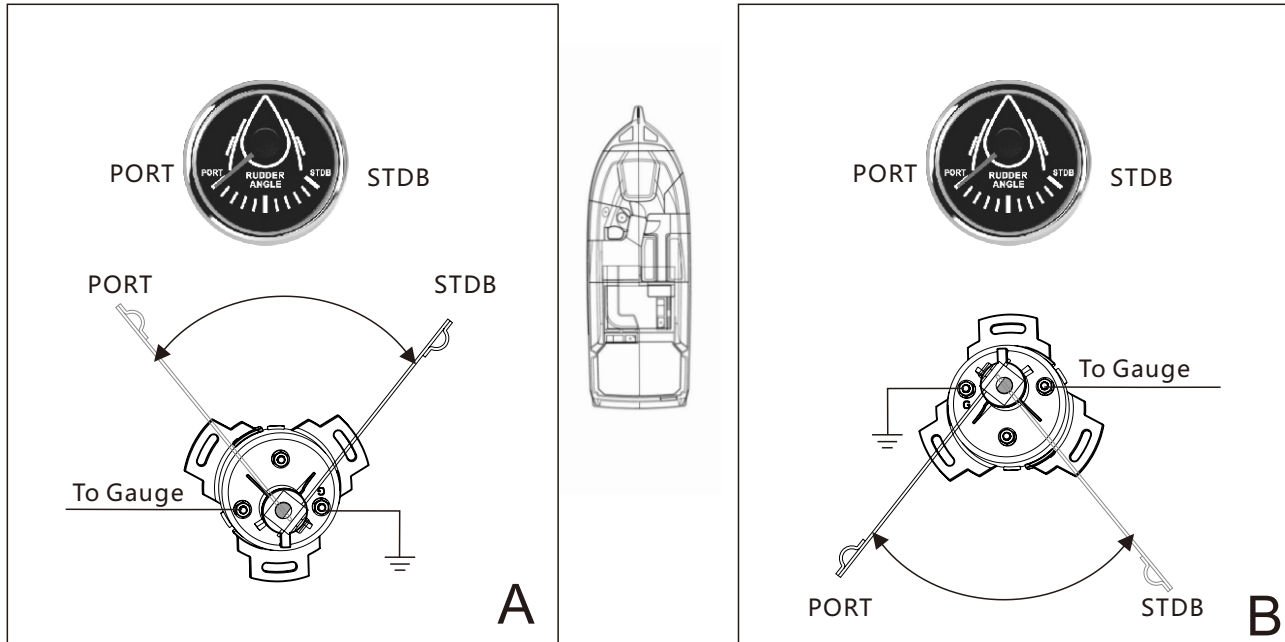
# OWNER'S MANUAL

106-0005-01

Two methods for installing rudder Angle sensor :  
舵角传感器两种安装方案：

Please installed as Connection B if both rudder angle indicator and corresponding sensors are from ECMS.  
If not ,please install as Connection A.

本公司生产的舵角表和舵角传感器请参考B方案按照方式, 其他部分公司请参考A按照方式。



# OWNER'S MANUAL

106-0005-01

Two methods for installing rudder Angle sensor :  
舵角传感器两种安装方案：

Please installed as Connection B if both rudder angle indicator and corresponding sensors are from ECMS.  
If not ,please install as Connection A.

本公司生产的舵角表和舵角传感器请参考B方案按照方式, 其他部分公司请参考A按照方式。

